

Multi-Station Commandmic Interface

(For use with ICOM HM-195 Commandmic compatible Equipment)



PRECAUTIONS

Compass-safe distance: 1 metre

Only connect HM-195 Commandmic compatible equipment.

CAUTION: Only connect HM-195 Commandmics into the specified ports. DO NOT connect a HM-195 Commandmic to the I/O Port.

The multi-station Commanmic Interface unit is designed for use with Icom IC-M423 and IC-M400BB marine transceivers and HM-195 Commandmics.

Connection Ports

The multi-station Commandmic Interface has 4 connection ports. These are:

A connecting lead to interface into the radio.

2 x Commandmic sockets for use with HM-195 compatible equipment

1 x I/O Port for future expansion.

These ports are shown below:

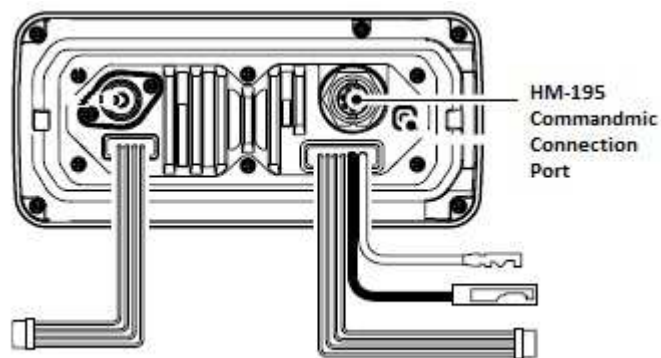


Connection to IC-M423 and IC-M400BB

Before connecting the Multi-Station Commandmic Interface to an IC-M423 or IC-M400BB, it is recommended that the radio is powered off.

Plug the cable from the Multi-Station Commandmic Interface (labelled as “Input from Radio”) into the Commandmic port on the rear of the radio, ensuring that the plug is inserted fully into the

socket and the locking ring on the plug is locked in place.



Rear View of an IC-M423 showing the Commandmic port. The layout on the rear of the IC-M400BB is the same.

Plug the OPC-1540 cable supplied with the HM-195 Commandmic, or the OPC-1541 extension cable into either the Commandmic1 or Commandmic2 sockets on the Multi-Station Commandmic Interface, ensuring that the plug is inserted fully into the socket and the locking ring on the plug is locked in place.

NOTE: *If the display of the HM-195 Commandmic displays “Firmware Required, Please Connect To Radio”, disconnect the OPC-1540 or OPC-1541 cable from the Multi-Station Commandmic*

Interface, and connect it directly to the radio to enable the required firmware update to the Commandmic. This may only need to be done when connecting the HM-195 Commandmic to the radio for the first time, or if switching between using the HM-195 Commandmic with an IC-M423 and IC-M400BB radios.

NOTE: *For operational usage instructions, please refer to instruction manuals supplied with the connecting equipment.*

When using dual Commandmics the operations are mimicked across both microphones.